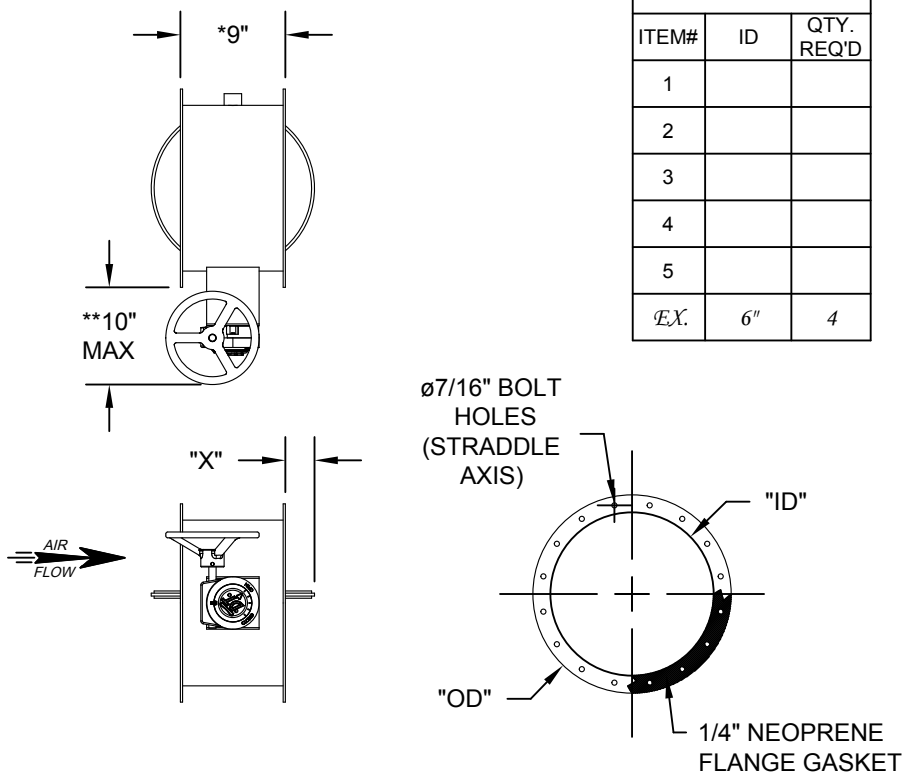


STANDARD SIZING				
INSIDE DIAMETER (ID)	OUTSIDE DIAMETER (OD)	BOLT HOLE CENTER	BLADE EXTENSION (X)	NUMBER OF BOLT HOLES
6"	9"	7-1/2"	N/A	8
8"	11"	9-1/2"	N/A	8
10"	13"	11-1/2"	1/2"	12
12"	15"	13-1/2"	1-1/2"	12
14"	17"	15-1/2"	2-1/2"	16
16"	19"	17-1/2"	3-1/2"	16
18"	21"	19-1/2"	4-1/2"	16
20"	23"	21-1/2"	5-1/2"	20
22"	25"	23-1/2"	6-1/2"	20
24"	27"	25-1/2"	7-1/2"	20
26"	29"	27-1/2"	8-1/2"	24
28"	31"	29-1/2"	9-1/2"	24
30"	33"	31-1/2"	10-1/2"	28
32"	35"	33-1/2"	11-1/2"	28
34"	37"	35-1/2"	12-1/2"	32
36"	39"	37-1/2"	13-1/2"	32



ORDER DETAILS		
ITEM#	ID	QTY. REQ'D
1		
2		
3		
4		
5		
EX.	6"	4

**STANDARD OPTIONS**  
(CHECK IF APPLICABLE)

**LEAK TEST REQUIREMENTS**

- BUBBLE TIGHT
- LOW LEAK

**MATERIAL**

- T-304 STAINLESS
- T-316 STAINLESS
- L GRADE

**ACTUATOR REQ.**

- MANUAL (AS SHOWN)
- ELECTRIC (FULL OPEN, FULL CLOSE OPERATION)
  - 1/60/110 VAC (STANDARD)
  - 1/60/220 VAC
  - 3/60/220-440 VAC
  - 1/60/24 VAC
  - 24 VDC
- PNEUMATIC (FULL OPEN, FULL CLOSE OPERATION)
  - 70 PSI
  - 80 PSI (STANDARD)
  - 90 PSI
- SPRING RETURN
  - FAIL OPEN
  - FAIL CLOSED

**OTHER OPTIONS**

- BEACON INDICATOR (VISUAL DISPLAY OPEN/CLOSED)
- SOLENOID VALVE
- MANUAL OVERRIDE (IF SPRING RETURN OPTION REQ.)

**STANDARD TESTING SPECS:**

**BUBBLE TIGHT:** THE DAMPER BLADE SHALL BE TESTED IN THE CLOSED POSITION AT ±10" W.G. AND SHALL BE BUBBLE TIGHT IN WHEN TESTED IN ACCORDANCE WITH ASME N510-1995 REAFFIRMED, "TESTING OF NUCLEAR AIR CLEANING SYSTEMS." THE COMPLETE DAMPER PRESSURE BOUNDARY SHALL BE LEAK TESTED AT ±10" W.G. AND HAVE A MAXIMUM ACCEPABLE LEAK RATE OF .0005 CFM PER CUBIC FOOT OF HOUSING VOLUME.

**LOW LEAK:** THE DAMPER BLADE SHALL BE TESTED IN THE CLOSED POSITION AT ±10" W.G. BY THE "PRESSURE DECAY METHOD" IN ACCORDANCE WITH ASME N510-1995 REAFFIRMED, "TESTING OF NUCLEAR AIR CLEANING SYSTEMS," PARAGRAPHS 6 & 7. THE COMPLETE DAMPER PRESSURE BOUNDARY SHALL BE LEAK TESTED AT ±10" W.G. AND SHALL HAVE A MAXIMUM LEAK RATE OF .0005 CFM PER CUBIC FOOT OF HOUSING VOLUME.

OTHER LEAK RATE OPTIONS AND TESTING PARAMETERS ARE AVAILABLE UPON REQUEST, SPEAK WITH THE MAUFACTURER'S SALES REPRESENTATIVE FOR DETAILS.

\* DEPTH IS FROM FLANGE TO FLANGE AND DOES NOT INCLUDE THE 1/4" NEOPRENE FLANGE GASKET.  
\*\*SIZE VALID FOR STANDARD MANUAL ACTUATORS ONLY. CONTACT MANUFACTURER FOR SIZES OF OTHER ACTUATORS.

**CUSTOMER INFORMATION**

---



---



---

IF YOU DO NOT SEE THE OPTIONS OR SIZE YOU REQUIRE, THE MANUFACTURER CAN CUSTOM DESIGN YOUR DAMPER TO NEARLY ANY SIZE AND SPECIFICATION.

REV.	DRAWN BY DATE	DESCRIPTION:	APPR. BY DATE
<small>THE DEVICE DEPICTED AND DESCRIBED HEREON EMBODIES PROPRIETARY INFORMATION OWNED BY P&amp;G MANUFACTURING INC. ALL DESIGN, MANUFACTURING, REPRODUCTION, SALES, AND PATENT RIGHTS REGARDING THIS DEVICE OR DRAWING ARE RESERVED EXCEPT WHERE EXPLICIT RIGHT IS GRANTED IN WRITING.</small>		<b>UNLESS OTHERWISE SPECIFIED</b> • ALL DIMENSIONS ARE IN INCHES • TOLERANCES FRACTION: ±1/8" ARE: DECIMAL: ±.125" ANGULAR: ±1°	

**FLAT BLADE DAMPER**

**P&G MANUFACTURING**

WASHINGTON N.C. 27889  
PHONE NO.: 252-946-9110  
FAX NO.: 252-946-4823



**SALES DRAWING**

DRAWN BY: WMA	DATE: 5/7/10	DWG SCALE: NTS
APPROVED BY: JWW	DATE: 6/29/10	DRAWING NO.: CSD-014
SHEET 1	OF 1	REV. 0

DIMSCALE: 24 TEXT HEIGHT: